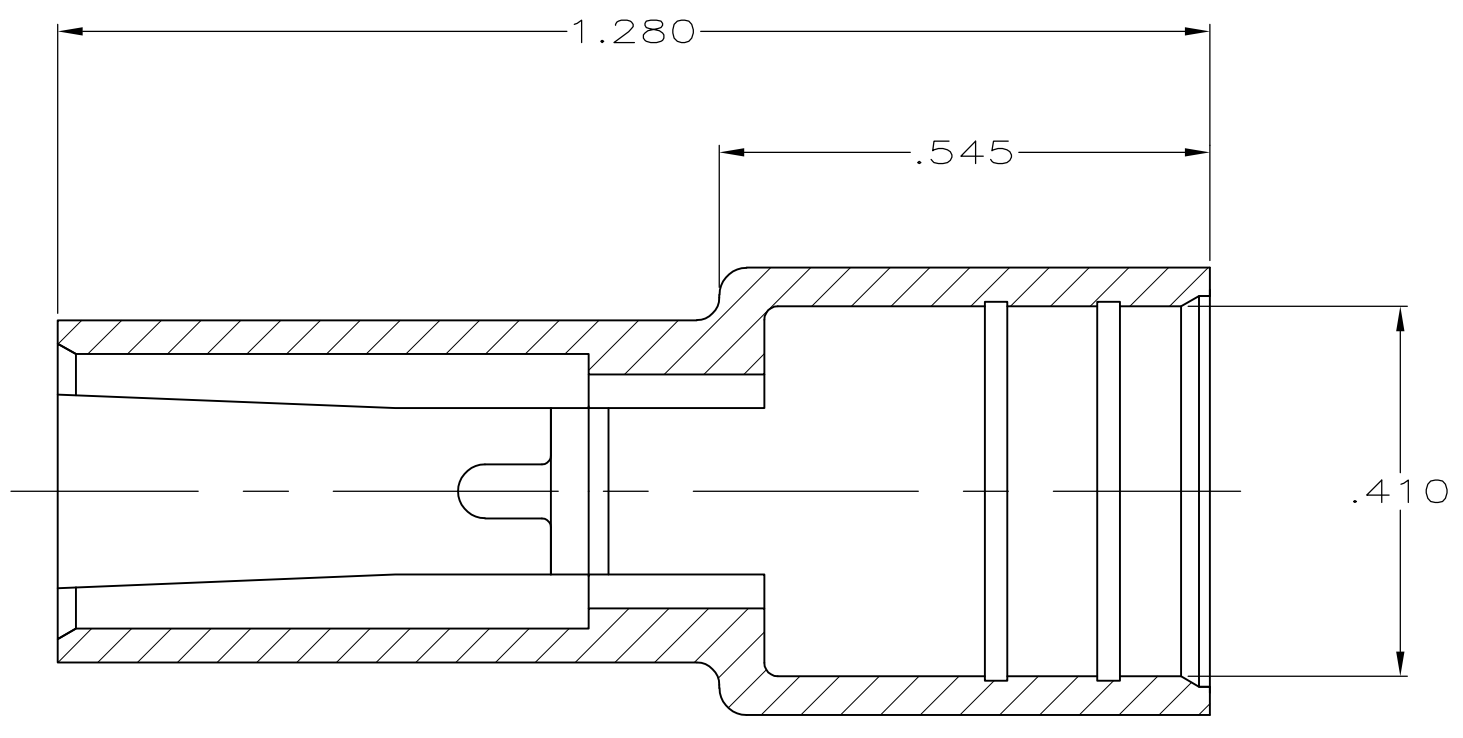
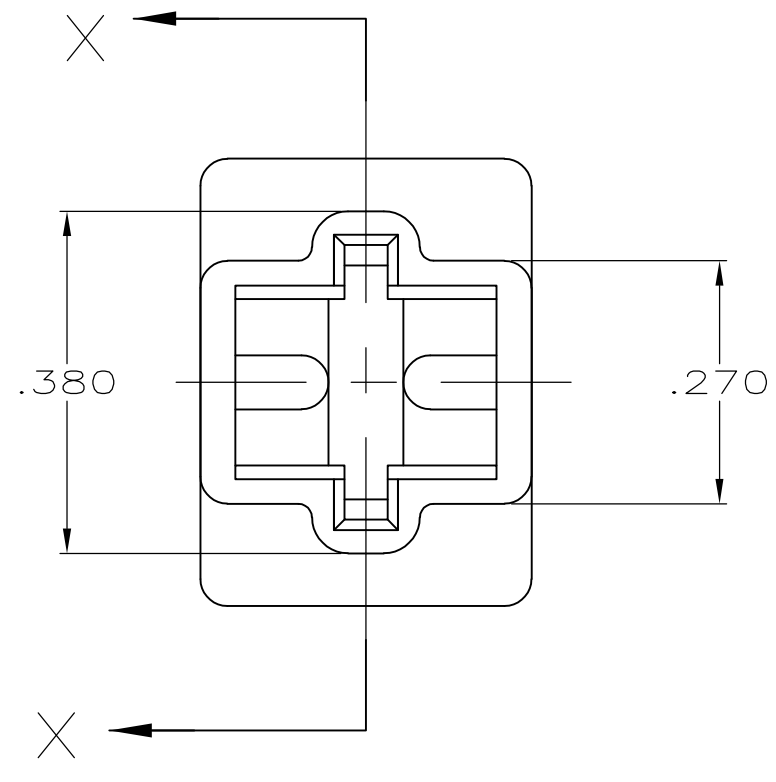
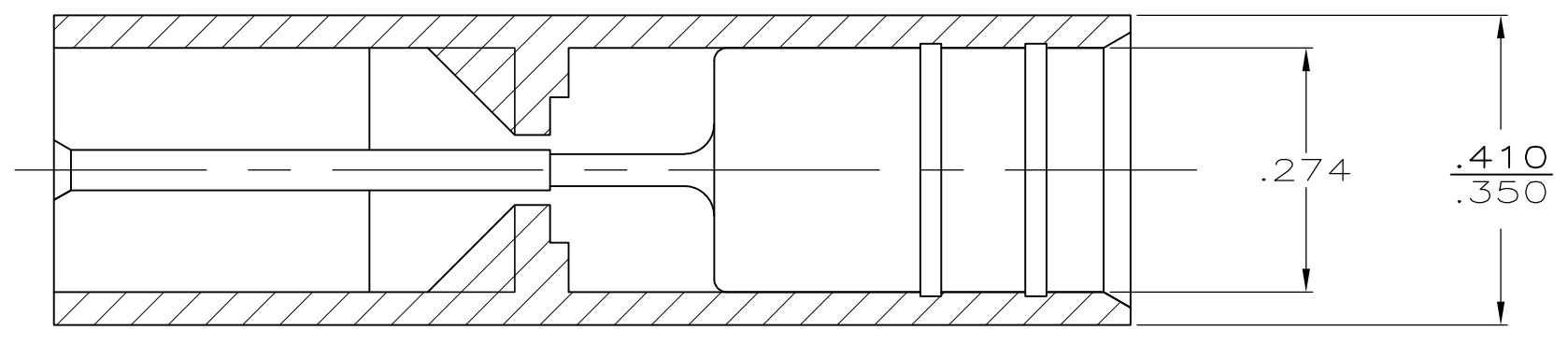
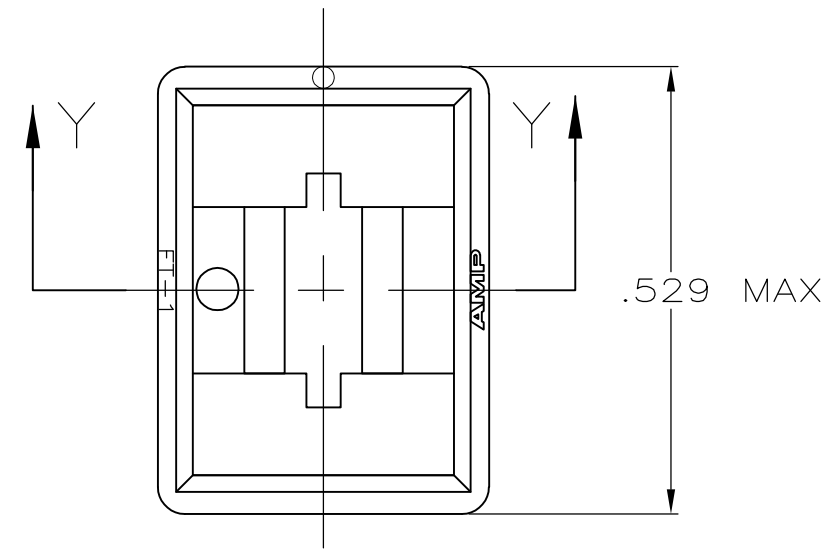


LOC	DIST	REVISIONS			
P	LTR	DESCRIPTION	DATE	DWN	APVD
AF	50	AE2	REVISED PER ECO-11-004917	11MAR11	RK HMR



SECTION X-X



SECTION Y-Y  
 ROTATED 90° CW

1 OBSOLETE PARTS: OBSOLETE CIS STREAMLINING PER D.RENAUD/D.SINISI

1	OBSELETE	COLOR	MATERIAL	PART NO
	OBSELETE	BLACK	4/6 NYLON UL 150° C	<del>1-480053-0</del>
	OBSELETE	DYED GREY	6/6 NYLON	<del>480053-9</del>
	OBSELETE	DYED PINK	6/6 NYLON	<del>480053-8</del>
	SUPERSEDED BY 480053-3	DYED BLUE	6/6 NYLON	<del>480053-7</del>
	SUPERSEDED BY 480053-3	DYED GREEN	6/6 NYLON	<del>480053-6</del>
		RED	6/6 NYLON	480053-5
		BLACK	6/6 NYLON	480053-4
		NATURAL	6/6 NYLON	480053-3
	SUPERSEDED BY 480053-4	BLACK	CYCOLAC	<del>480053-2</del>
	SUPERSEDED BY 480053-3	CLEAR	TENITE	<del>480053-1</del>
		COLOR	MATERIAL	PART NO

THIS DRAWING IS A CONTROLLED DOCUMENT FOR AMP INCORPORATED. IT IS SUBJECT TO CHANGE AND THE CONTROLLING ENGINEERING ORGANIZATION SHOULD BE CONTACTED FOR THE LATEST REVISION.

THIS DRAWING IS A CONTROLLED DOCUMENT.		DWN	JR RUTH	3/10/94	TE Connectivity HOUSING, TAB, FASTIN-FASTON, .250 SERIES	
DIMENSIONS: MM[INCHES]		CHK	MS FEHER	3/10/94		
TOLERANCES UNLESS OTHERWISE SPECIFIED:		APVD	R BEAVER	3/10/94		
0 PLC ± - 1 PLC ± - 2 PLC ± - 3 PLC ± .015 4 PLC ± - ANGLES ± - FINISH SEE TABLE		PRODUCT SPEC - APPLICATION SPEC - WEIGHT -		SIZE A2 CAGE CODE 00779 DRAWING NO G-480053		
MATERIAL SEE TABLE		CUSTOMER DRAWING		SCALE 5:1	SHEET 1 of 1	REV AE2